

MEi/ ABA

LOCK & SECURITY

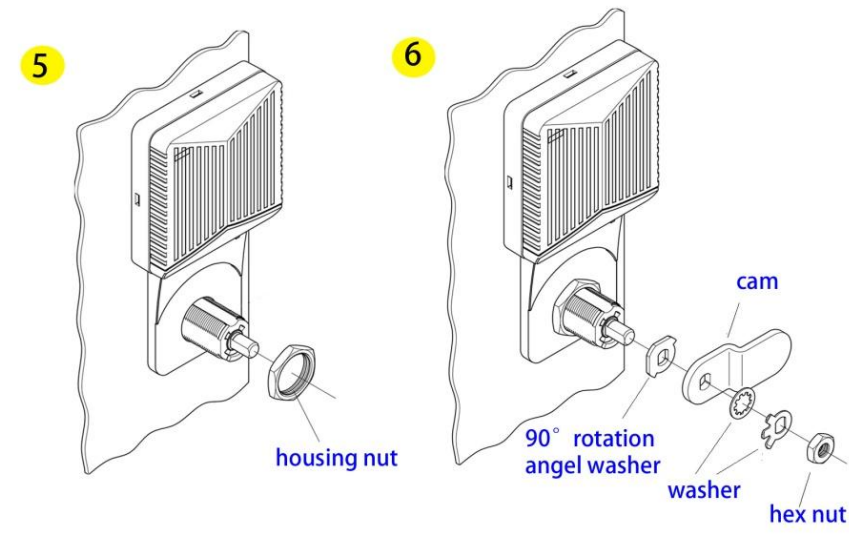
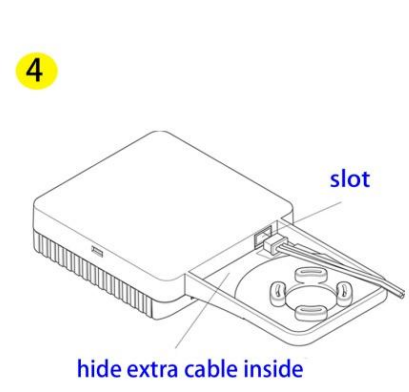
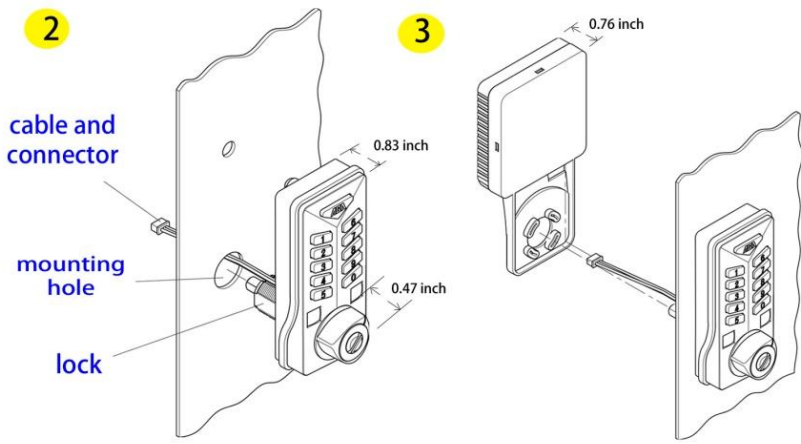
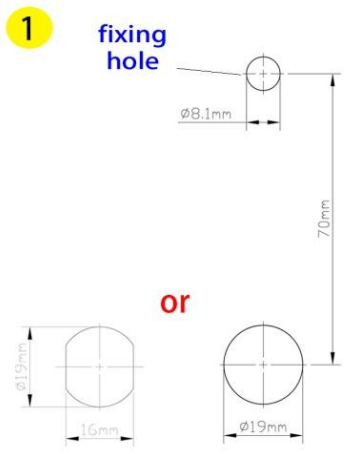
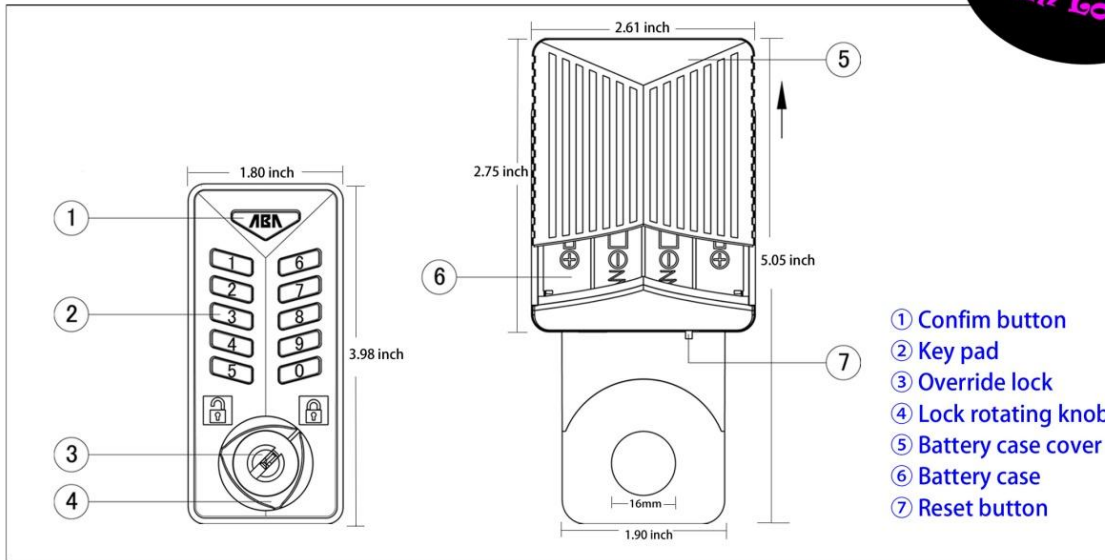
7450
Electronic
Cam Lock




- Surface mounting
- Key override high security lock
- Public mode - one time user code
- Individual mode - up to six users

7450 Installation

**Electronic
Cam Lock**



7450 Instruction

※ All the programming must under unlock status. Make sure the control knob is indicated in  position.



① Set your master code

The original master code is "0000" . Please change it after installation



② Select User Mode

2-1 Individual Mode (Repeated user code)



Maximum 6 users can use this lock with 6 different repeated user codes



2-1-1 The original user code is "1234" . Please delete and reset new code



2-1-2 User instruction

Lock: Switch front side button to lock  → 

Unlock: User code → 

2-2 Public Mode (One time user code)

The user code can be used once only. The lock will remain open until next user code is entered



2-2-2 User instruction

Lock: Switch front side button to lock  → New user code → 

Unlock: User code → 

7450
Electronic
Cam Lock



DESCRIPTION:

- Electronic 2-Key cam lock with 10 digit code
- Operates on DC6V, 4 cell AA, 1.5V batteries/20,000 cycles

SPECIFICATION:

- | | |
|-----------------------------|-----------------------|
| • Body material: | Zinc alloy |
| • Cam fixing point: | 5/8" to 3/4" diameter |
| • Door thickness: | 1-4mm (S) |
| | 1-9mm (M) |
| | 1-15.5mm (L) |
| • Spindle cut out: | 16mm diameter |
| • Battery life: | 20,000 cycles |
| • Battery failure override: | Key |